

**NEW**  
from the mass flow experts

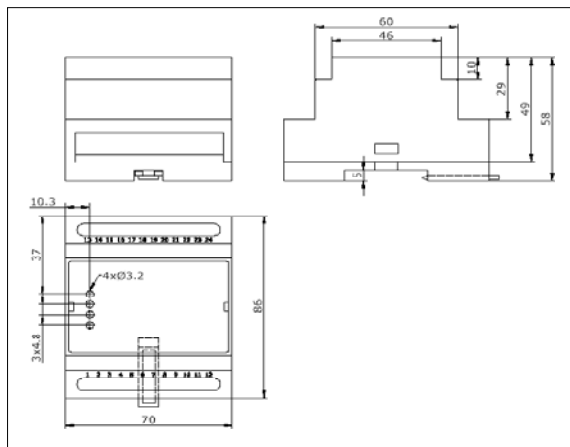
**RHEONIK**

## RHE 15 - PROFIBUS DP MODULE

The PROFIBUS DP solution from Rheonik - it equips Rheonik transmitters RHE14 and RHE12 with PROFIBUS functionality and more ...



Weight: approx. 200 gr. / 0.44 lb



### FEATURES

- Compact plastic housing
- DIN rail mounting
- PROFIBUS baudrate up to 1,5 MB/s
- Optional pulse input (active / passive)
- Optional 3 analog inputs (passive)
- Temperature range: -40 to +65°C
- Protection class: IP 20
- Setting via PROFIBUS DP (master) or via RS 232 (terminal program)
- Dip switch for bus termination by appropriate resistors

### DETAILS

Housing:	PC / PPO
Protection class:	IP 20
Dimensions:	70 x 86 x 58 mm 2.76 x 3.39 x 2.28"
Power supply:	8-26 VDC 85-250 V with additional module
Power consump.:	2-3 W
Op. temperature:	-40 to +65°C -40 to +149°F
Inputs:	RHE12/14 via RS232
Optional inputs:	1 pulse (active / passive) 3 analog inputs (0/4-20mA)

### ORDER CODE

RHE 15 T1 D1 N/I

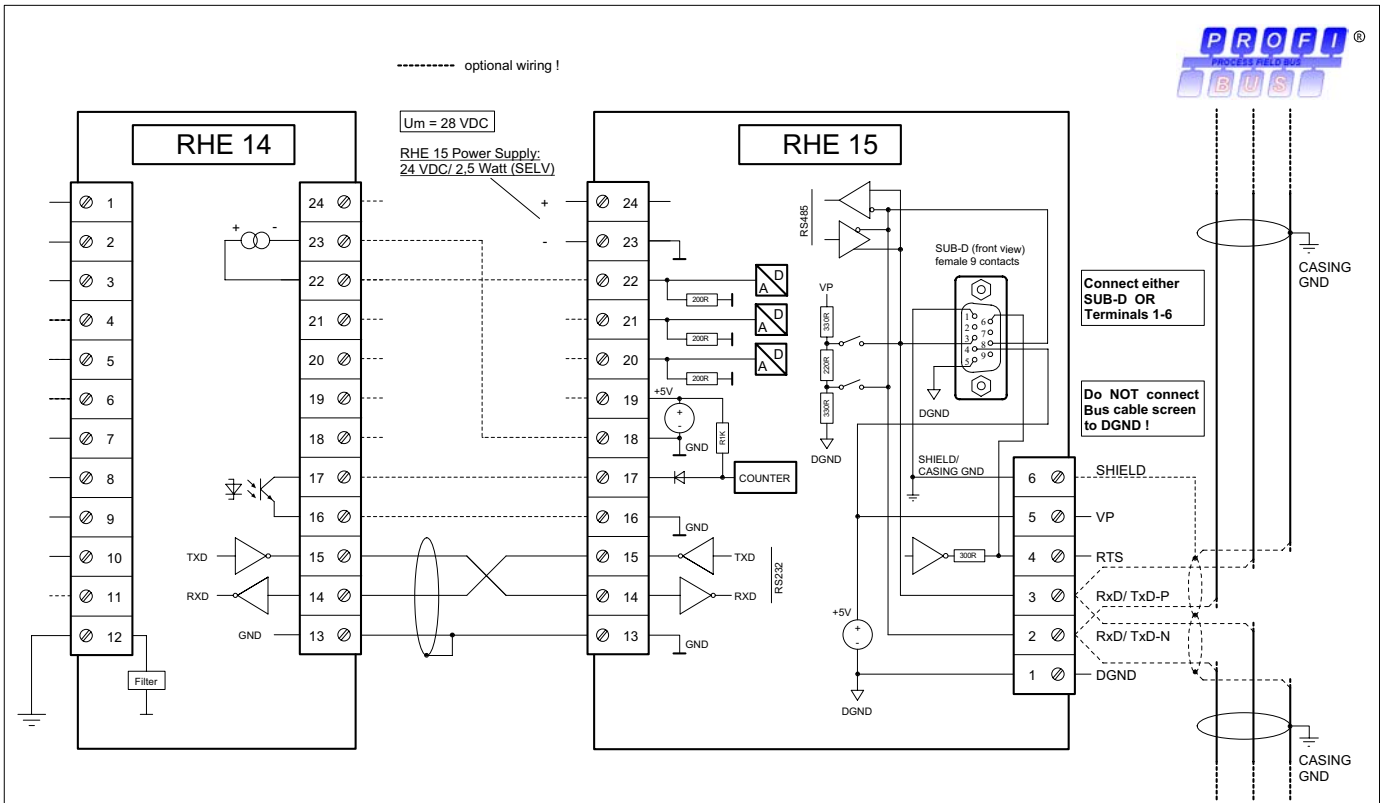
Standard Version

8 - 26 VDC Power Supply

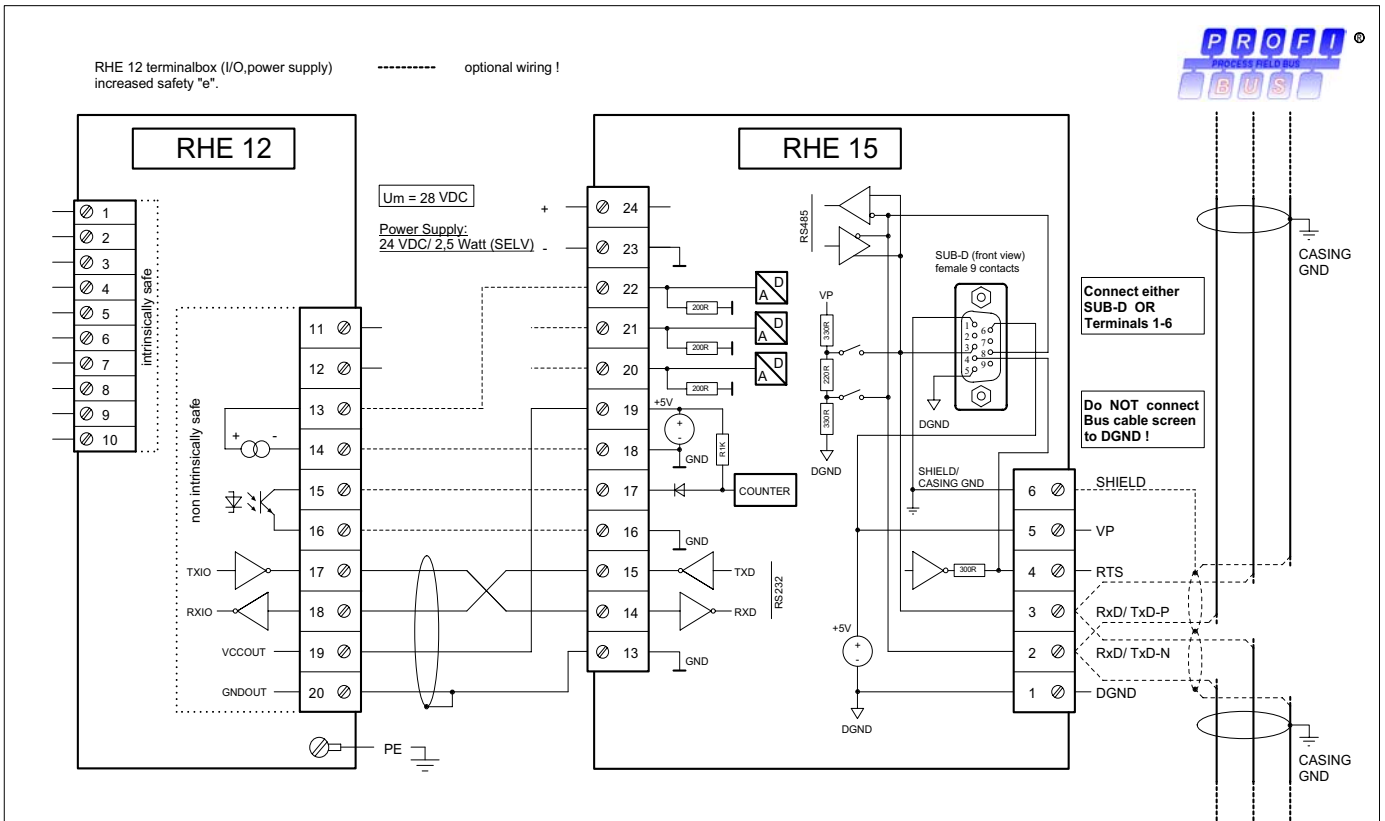
(N): No special functions

(I): Inputs for optional signals

[www.rheonik.com](http://www.rheonik.com) - the mass flowmeter experts



created :	<b>RHEONIK</b>	Project	
Date 23.10.2006		Customer	
Drawn H.G.Rudolph		Draw. - Rev.	E15_14W-E_v1_0
Appr. M. Küppers		Sheet	1 / 1
Wiring diagram RHE 15 with RHE 14			



created :	<b>RHEONIK</b>	Project	
Date 23.10.2006		Customer	
Drawn H.G.Rudolph		Draw. - Rev.	E15_12W-E_v1_0
Appr. M. Küppers		Sheet	1 / 1
Wiring diagram RHE 15 with RHE 12			